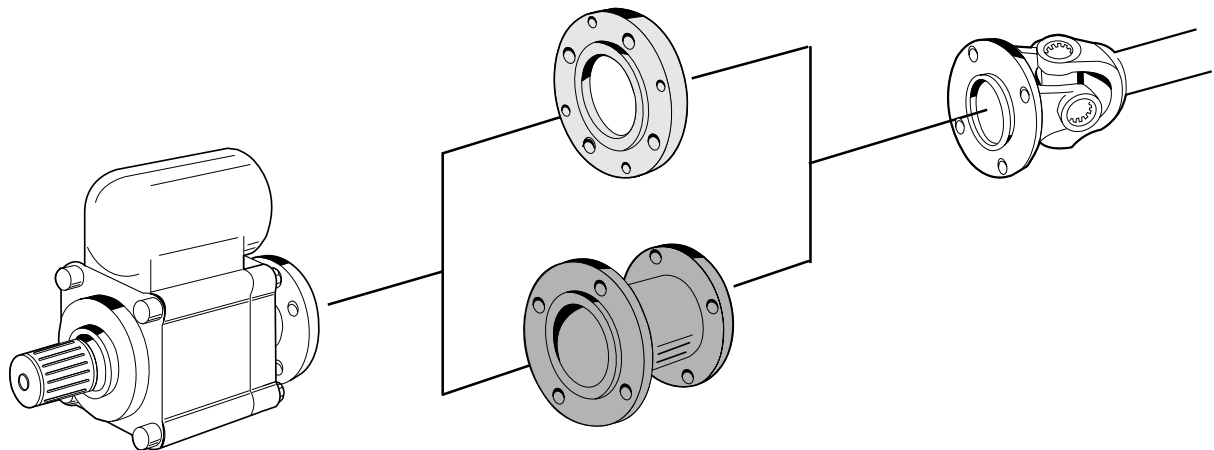


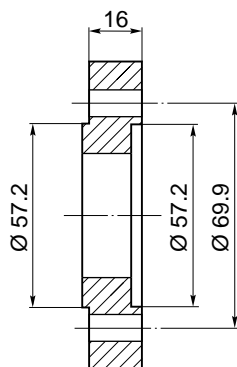


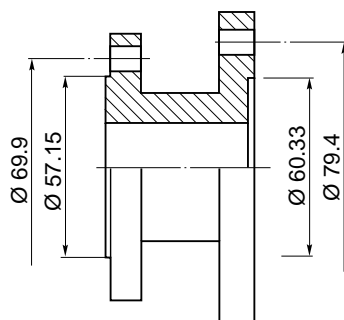
Adapterflansche



Spicer 1100 (B1)	14119*	Spicer 1100 (B1)	609
	14064 	Spicer 1300 (B2)	

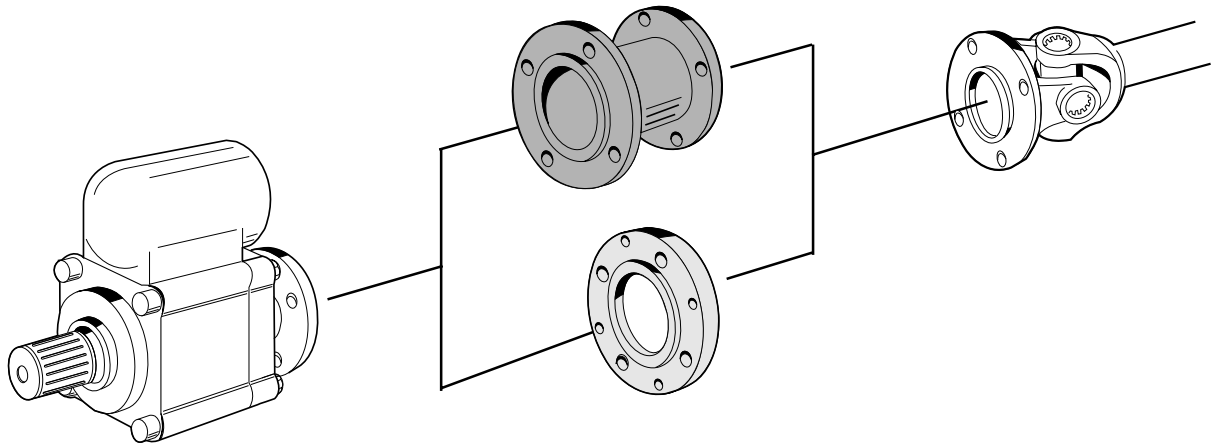






14119*
Abstand

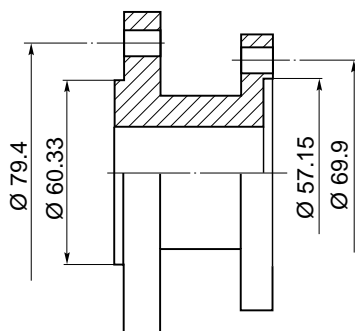


14064

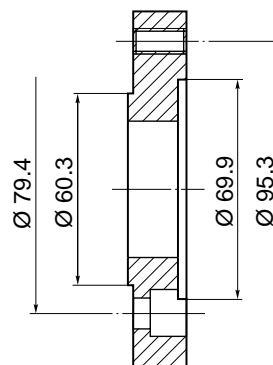
Adapterflansche



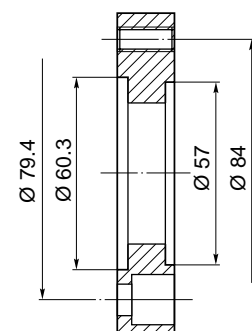
Spicer 1300 (B2)	17355 	Spicer 1100 (B1)	609 
	17876 	Spicer 1400 (B3)	
	18236 	DIN 6-Loch Ø100	



17355

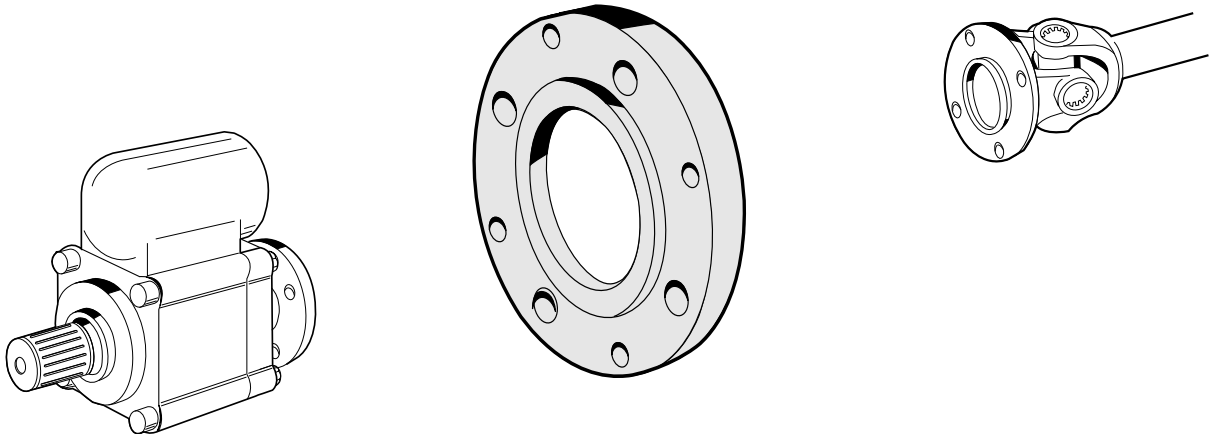






17876

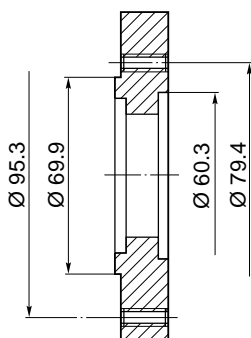


18236

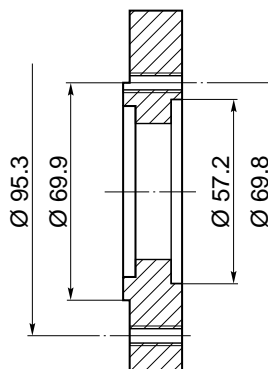
Adapterflansche



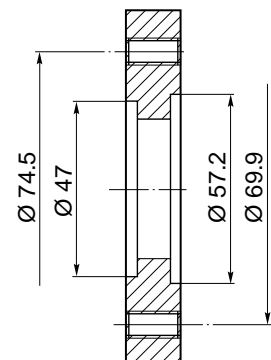
Spicer 1400 (B3)	13740 	Spicer 1300 (B2)	609 
	11656 	Spicer 1100 (B1)	
DIN 4-Loch	11915 		



13740

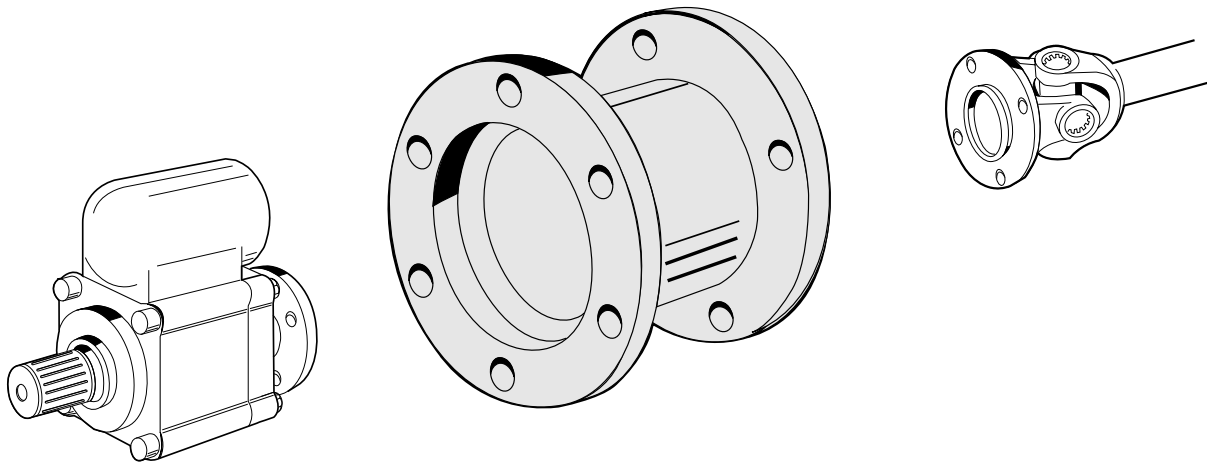


11656

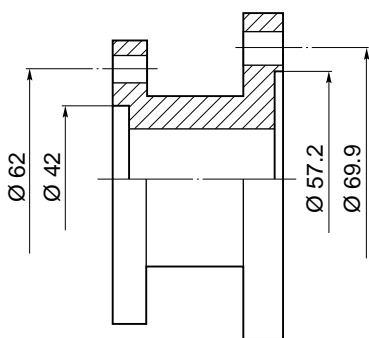


11915

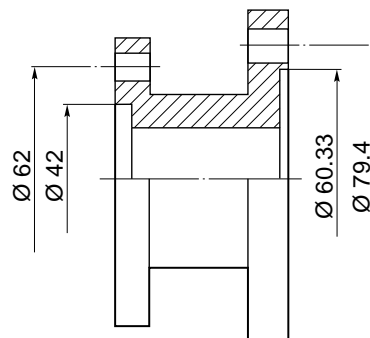
Adapterflansche



DIN 6 Loch	Ø75	14063	Spicer 1100 (B1)	609 ↑
		14062	Spicer 1300 (B2)	

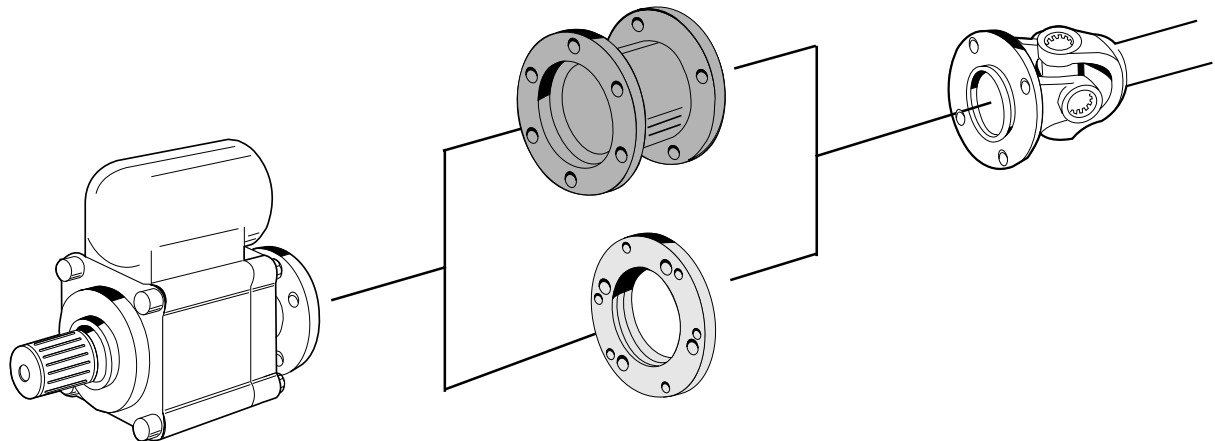






14063

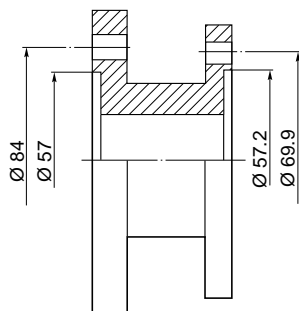


14062

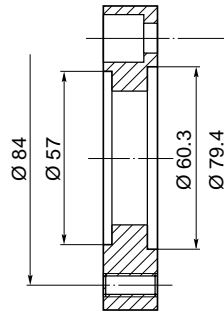
Adapterflansche



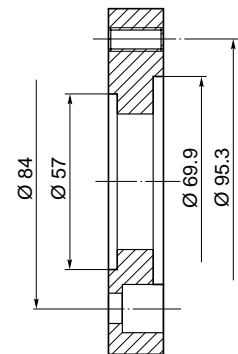
DIN 6 Loch Ø100	18287 	Spicer 1100 (B1)	609 
	18236 	Spicer 1300 (B2)	
	18020 	Spicer 1400 (B3)	



18287



18236



18020