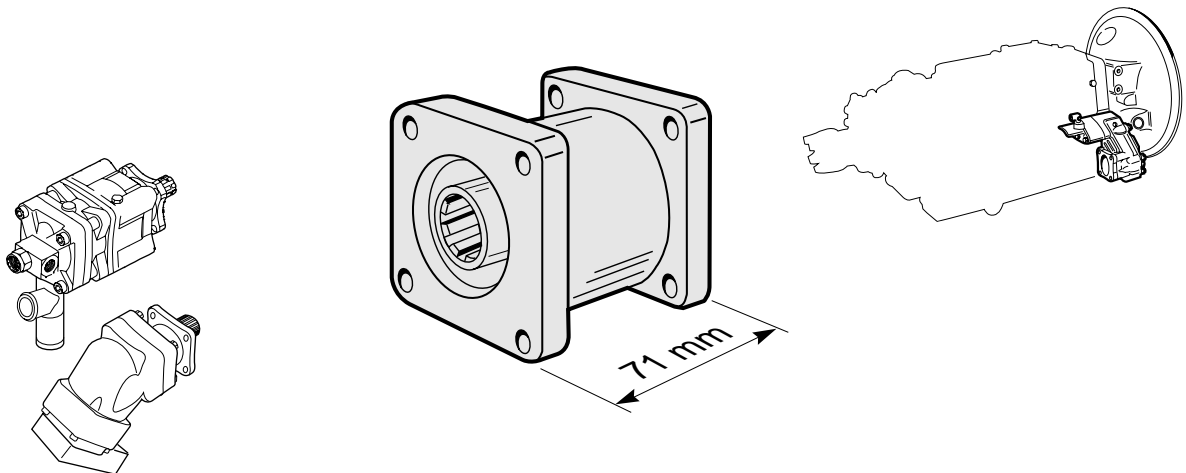


Spezialadapter

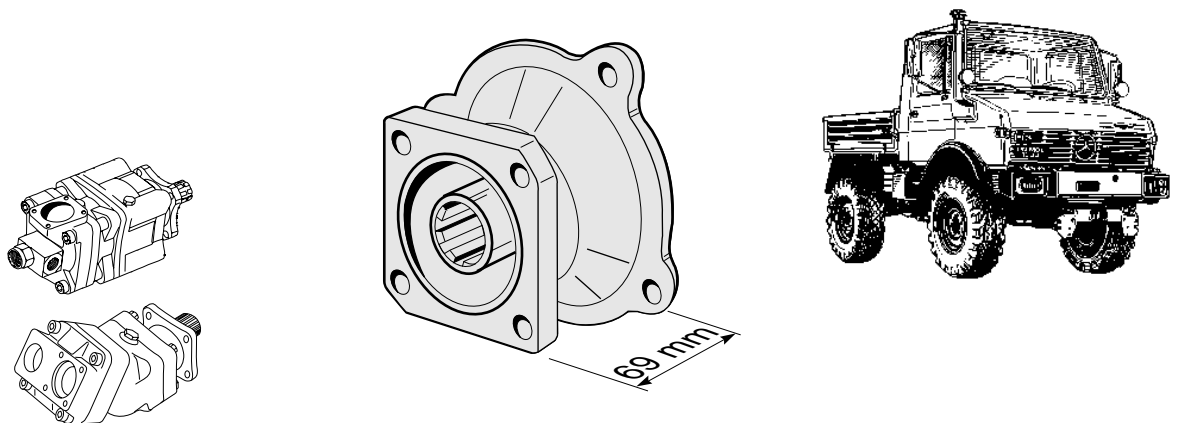
SCANIA



Savtec® Pumpe SC + By-Pass	91690	PTO ED 90
	61024	PTO ED 140

Spezialadapter

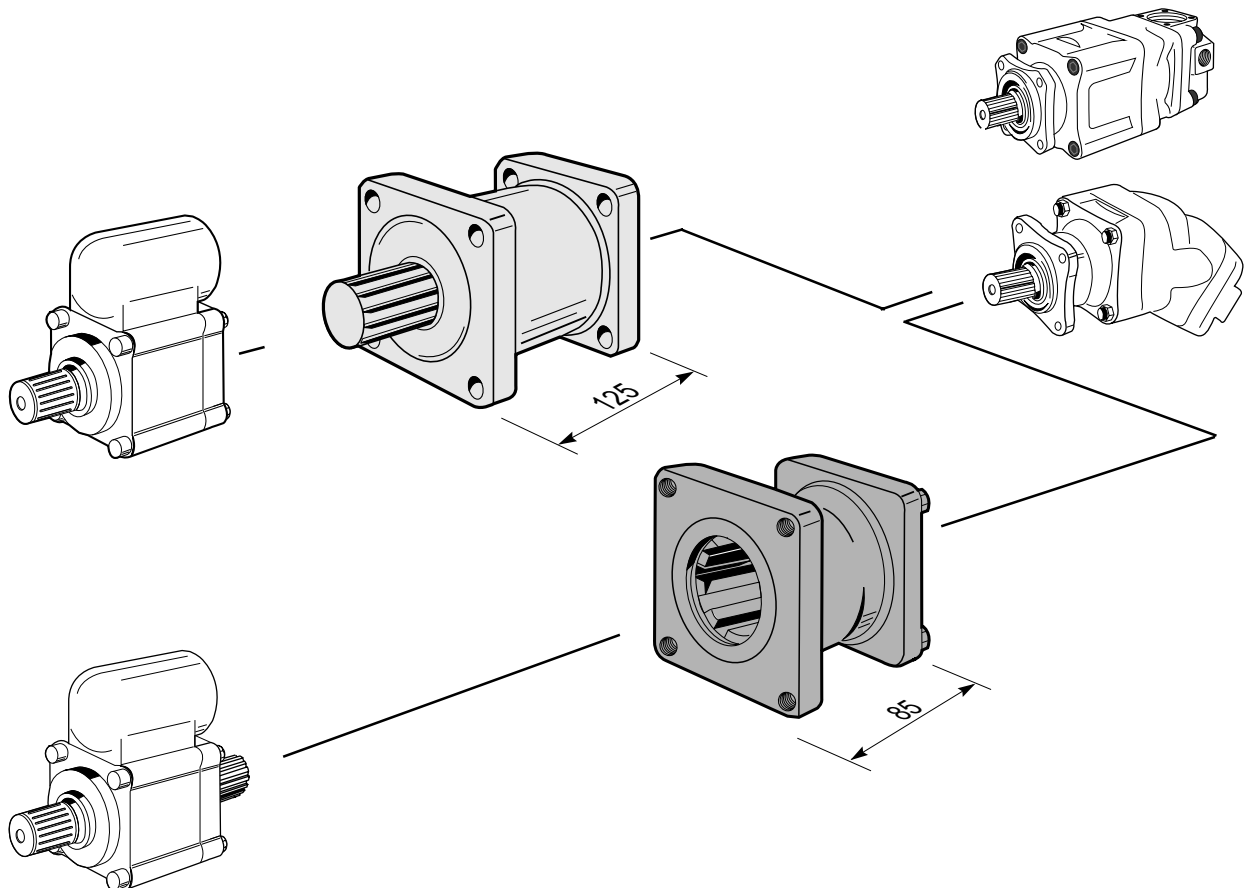
UNIMOG



Alle DIN 5462 (ZF)	61012	PTO N16
--------------------	--------------	---------

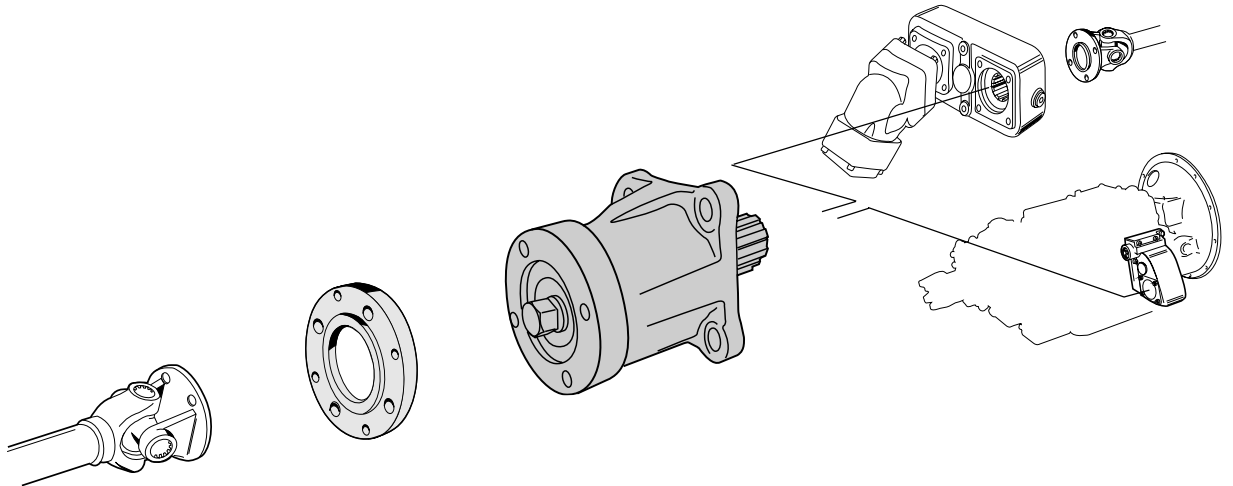
Abstandadapter-Bausatz



DIN 5462

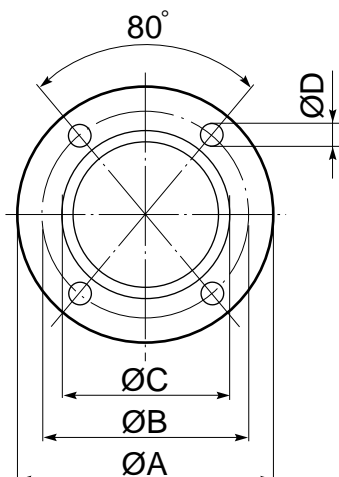


ZF PTO type / 1c, 2c, 3c	61029	—	Alle DIN 5462 (ZF)
ZF PTO type / 1a, 2a, 3a	—	61003	

Antriebsflansch & Adapter für DIN-Nebenantriebe



609 ☞	Spicer 1100 (B1)	—	61040	DIN 5462 (ZF)
	Spicer 1300 (B2)	—	61015	
	Spicer 1400 (B3)	—	61017	
DIN 4-Loch	11915 		61040	
DIN 6-Loch	Ø 100	18236 		61015



	A mm	B mm	C mm	D mm
Spicer 1100 (B1)	88	69.9	57.2	8.5
Spicer 1300 (B2)	97	79.4	60.3	10.5
Spicer 1400 (B3)	115	95.3	69.9	10.5

Leistung *

Spicer 1100 (B1)	250 Nm
Spicer 1300 (B2)	500 Nm
Spicer 1400 (B3)	900 Nm

Kardanwelle